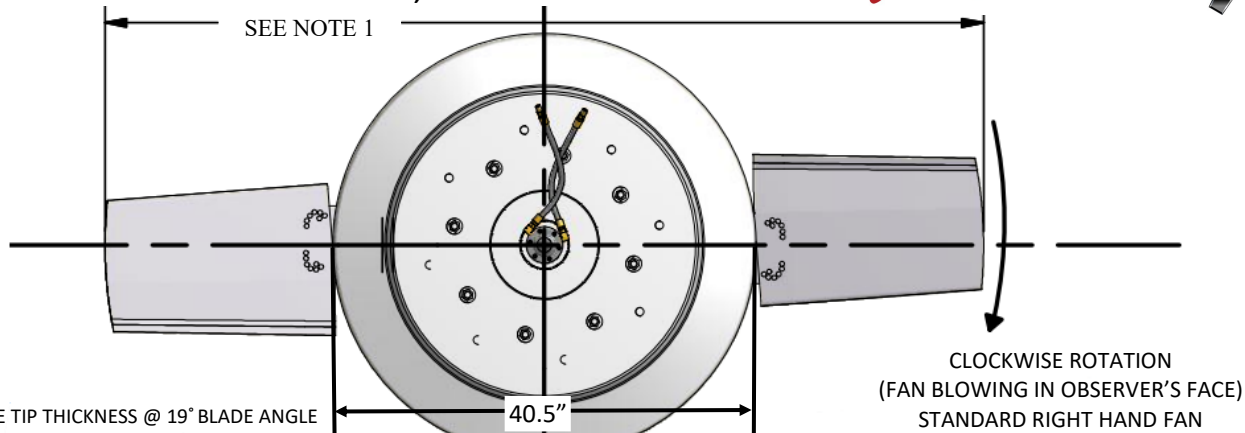


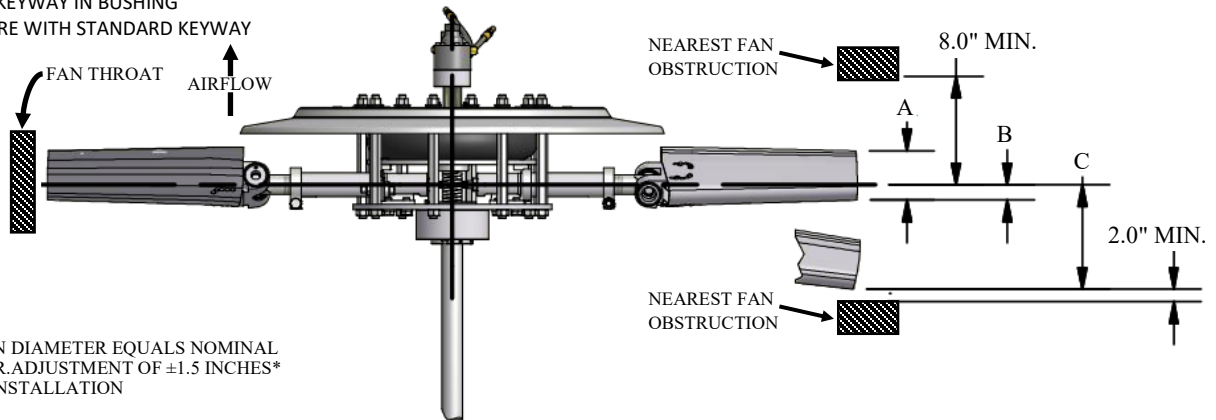
CLASS 10000 SERIES 42 SC

CSP AUTOMATIC FAN, RH ROTATION



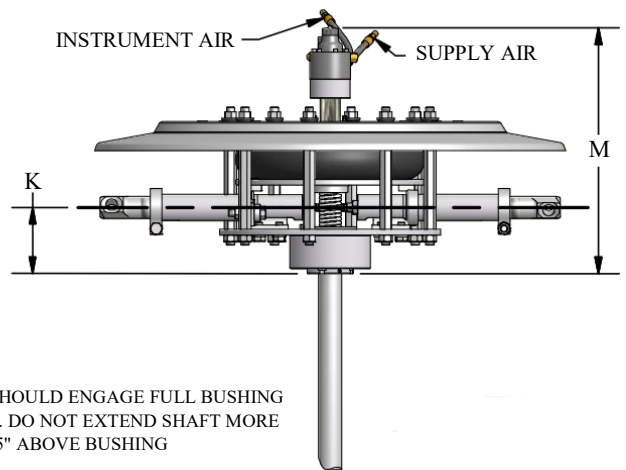
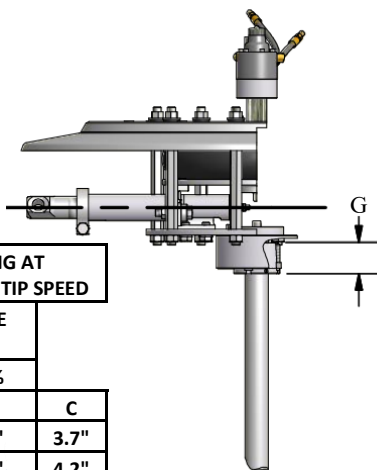
- A = BLADE TIP THICKNESS @ 19° BLADE ANGLE
- B = RUNNING POSITION OF BLADES
- C = MAXIMUM DROOP POSITION OF BLADES
- G = BUSHING OVERALL HEIGHT
- K = CENTERLINE OF FAN TO BASE OF BUSHING
- # = WITH S.A.E. STANDARD SQUARE KEYWAY
- * = WITH SHALLOW KEYWAY IN BUSHING
- o = MAX METRIC BORE WITH STANDARD KEYWAY

CLOCKWISE ROTATION
(FAN BLOWING IN OBSERVER'S FACE)
STANDARD RIGHT HAND FAN



NOTE 1:
MAXIMUM FAN DIAMETER EQUALS NOMINAL
FAN DIAMETER. ADJUSTMENT OF ±1.5 INCHES*
POSSIBLE AT INSTALLATION

*BLADES WITH ATEX TIPS HAVE ADJUSTMENT
OF -1.0" & +2.0" ON DIAMETER



SHAFT SHOULD ENGAGE FULL BUSHING
LENGTH. DO NOT EXTEND SHAFT MORE
THAN 0.5" ABOVE BUSHING

WITH FAN OPERATING AT
12000 FT/MINUTE BLADE TIP SPEED

PERCENT BLADE
LOADING

100% 75%

DIA	A	B		C
		100%	75%	
7'	4.4"	1.7"	1.5"	3.7"
8'	4.0"	2.2"	1.8"	4.2"
9'	3.6"	2.7"	2.2"	4.7"
10'	3.2"	3.3"	2.6"	5.3"
11'	2.8"	4.0"	3.1"	6.0"
12'	2.4"	4.8"	3.7"	6.8"
13'	2.0"	5.7"	4.3"	7.7"
14'	1.7"	6.7"	5.1"	8.7"

MAX BLADES	BUSHING TYPE	MAX # BORE	MAX * BORE	MAX o BORE	G	K	M
8	U	2.75"	2.938"	75	2.7"	5.8"	21.1"
8	W	3.750"	4.000"	100	2.8"	8.7"	24.1"